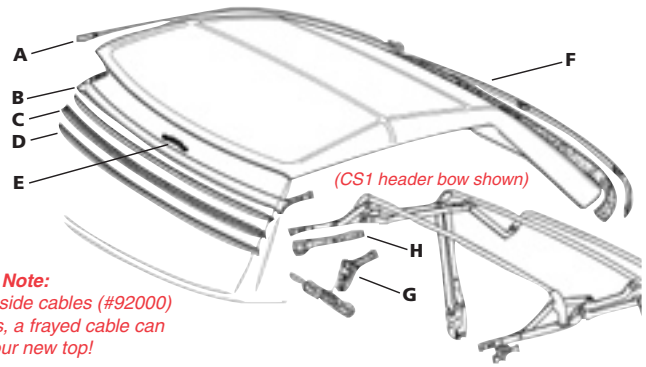
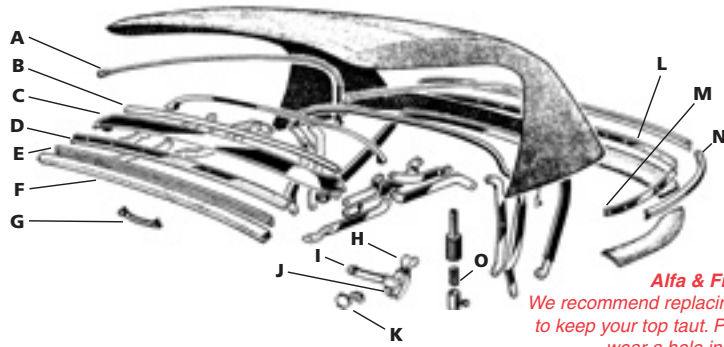


# REPLACE WORN OR MISSING TOP HARDWARE

If you're replacing your top, now is a good time to check for worn or missing hardware and dry-rotted rubber seals. We carry the most commonly needed items. If your Alfa top leaks, but is otherwise in good condition, see our DVD, containing video footage, on page 47. Additional molding for some Alfas can be found on pages 68-74.



**Alfa & Fiat Note:**  
We recommend replacing side cables (#92000) to keep your top taut. Plus, a frayed cable can wear a hole in your new top!

## ALFA ROMEO SPIDER, 1971-94

Description	Item No.	Qty Req'd	Price
A Top side cable	92000	2	\$ 7.50
B Top inner molding	82724	1	26.75
C Front header bow	37717	1	239.00
D Inner top plastic strip	43642	1	68.50
E Outer molding channel	03502	1	42.95
F Top outer molding	82723	1	34.75
G Top handle	36002	1	27.95
H Latch strap	03567	2	11.95
I Hold down strap	03566	2	11.50
J Top latch handle, 1991-94*	03535	2	115.50
K Mounting plate	43641	2	15.85
K Inner rear mounting strip	37722	1	39.50
M Inner side mounting strip (fits L&R)	37725	2	16.95
N Driver side chrome trim	37723	1	68.80
O Top cable spring	03602	2	3.85

## FIAT, PININFARINA SPIDER, 1968-85

Description	Item No.	Qty Req'd	Price
A Top side cable	92000	2	\$ 7.50
B Header bow, 1979-82 CS2 chassis*	03549	1	369.00
B Header bow, 1983-85 DS chassis*	03551	1	429.00
C Front windshield, rubber seal	43501	1	33.50
D Seal channel (plastic)	03546	1	34.50
E Handle	37709	1	25.95
F Rear channel rail	37711	1	194.50
G Top latch (set of 2), 30mm screw spacing, 1968-82*	03548	1	174.50
G Top latch, driver side, 40mm screw spacing, 1982-85*	03552	1	119.50
G Top latch, pass side, 40mm screw spacing, 1982-85*	03553	1	119.50
H Plastic cover (above dr. side window)	37715	1	34.50
H Plastic cover (above pass. window)	37716	1	34.50
- Top frame shoulder bolt	36096	2	10.95

\* Can be used on earlier cars if used in pairs.

## TOP STRAPS FOR ALFA & FIAT

Straps keep top in place to prevent wear & chafing. As original.

Alfa Romeo Spider, 1971-94 #36007 **\$16.95 ea.** (need 2)  
Fiat 124, 2000, 1968-85 #36006 **\$19.95 ea.** (need 2)



\* Note: There were three different header bows. 1968-78-type bow is no longer available. This bow fits our top #2032 (see p. 4). The 1979-82-type header bow (#03549) uses latches with 30mm screw spacing (#03548). The 1983-85 header bow (#03551) uses latches with 40mm screw spacing (#03552/03553). Our top #2033 fits these two header bows. We can supply a top and header bow for any 1968-on car, but they must match each other. Please call with questions.

## TOP BOOT HARDWARE

ALFA ROMEO	Item No. Driver	Item No. Pass.	Price
A Rear deck chrome trim, 1971-90, except Quad	43627	43626	\$ 79.50
A Rear deck chrome trim, 1983-90 Quad	43629	43631	88.50
A Rear deck chrome trim, 1986-94	43629	43631	88.50
B Top Boot Button, 1972-94	36025	—	21.25
C Complete inner plastic backing plate w/ hardware, Veloce & Quad models w/ padded/zippered boot	36029	36028	124.50
D Steel hook to repair plastic, 1986-94 Veloce & Quad Models w/ padded/zippered boot	35913	35914	48.50
E Top boot clip back plate (need 12), 1972-94	36034	—	3.55
F Top boot strap eyelet	36022	—	3.90
G Top boot clip plastic pc. (need 12), 1972-94	36021	—	4.20
H Top boot clip metal tab (need 12), 1972-94	36023	—	3.95
FIAT			
I Top boot hook, 1970-85	36012	36014	\$18.95
J Top boot fish plate, 1968-82, Except 83-85 Pininfarina Spider	36032	36033	39.50
- Rear deck hook, 1968-82	03554	03554	28.95

