

NEW BRAKE CALIPERS

FOR ALFA ROMEO SPIDER & GTV, 1969-ON

Replace your worn, pitted or leaking calipers with our new (not rebuilt) hydraulic units. And, get credit for your old, rebuildable calipers (please call for more information).

Caliper	Item No. Driver Side	Item No. Pass. Side	Price (Outright)
Front caliper (sold each)	05285	05283	\$198.00
Rear caliper (sold each)	05268	05269	198.00



FLEXIBLE BRAKE HOSES

Brake hoses can harden and crack or bulge with age, but there is often damage that's hidden inside. Partial blockage can cause your brakes to pull to one side or to drag (fail to release). It makes good sense to replace hoses frequently.



ALFA ROMEO	Item No.	Price
Front hose, 1956-74 all* & Spider thru 1994	5319	\$12.95
Rear center hose, 1956-74 all* & Spider thru 1994	5317	11.95
Copper washer for rear ctr. hose #5317 (need 1)	1026096	.90
Front hose, Alfetta, 1975-80	06251	11.90
Rear center hose, Alfetta, 1975-80	06252	11.50
Front hose, GTV6, Milano all, 1981-on	06261	11.50
Rear center hose, GTV6, Milano all, 1981-on	06262	10.50
Front hose, 164 Base, L, 1991-93	06269	14.25
Front hose, 164 Sport, 1991-93	06271	13.95
Rear hose, 164 Base, L, 1991-93 w/ABS	06273	11.95
Rear hose, 164 Sport, 1991-93 w/ABS	06274	12.50

FIAT, PININFARINA, BERTONE, LANCIA

Fiat 124 Spider, Pininfarina Spider 1968-85:		
Front hose, thru 1985, VIN 5506002	8085	\$14.95
Front hose, 1985, VIN 5506003-on	06277	29.90
Rear hose	8083	13.90
Rear center hose	8019	14.50
Copper washer (2 per front hose, 1 per rear hose)	25018	.95
Front hose, 1974-78 X1/9 & all 128, 131, 850	8085	14.95
Front hose, 1979-on X1/9	06259	12.75
Rear hose, X1/9 all	8539	12.95
Copper washer (2 per front hose, 1 per rear hose)	25018	.95
Lancia Beta, 1975-82:		
Front inner hose	06257	18.95
Front outer hose	06256	18.95
Rear hose	06258	14.95

* Except 1958-67 2600 & 2000 models

BRAIDED STAINLESS STEEL BRAKE & CLUTCH HOSES

FOR ALFA ROMEO AND FIAT

Why do racers love stainless steel brake lines? Because they expand less under hydraulic pressure, giving a much firmer pedal with more direct braking action. **Teflon-lined & DOT-approved** for street use. Made in USA.

Complete Brake Hose Kits	Item No.	Price
Alfa Romeo 1956-74 all; Spider thru 1994 (3 hoses)	06291	\$ 82.50
Copper washer for rear hose in above set	1026096	.90
Alfa Romeo Milano and GTV6, all (3 hoses)	06292	82.50
Fiat 124 & 2000 Spider, 1968-85* (5 hoses)	06293	122.50

Clutch Flex Hose

Alfa Romeo, all 4 & 6-cylinder 1969-94 except 164	06294	28.50
---	-------	--------------

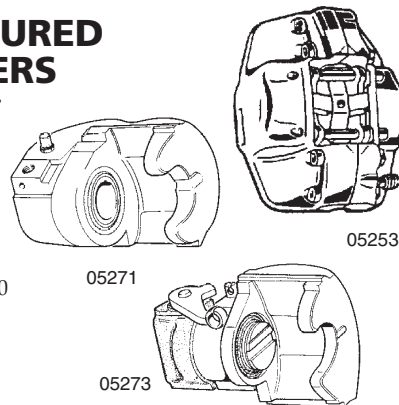
* Pininfarina Spider through chassis no. 5506002



REMANUFACTURED BRAKE CALIPERS

FOR ALFA ROMEO & FIAT

Don't take chances with your brakes! Our remanufactured calipers are sold on exchange with a core charge. Pay the outright price, then send us your old caliper within 60 days for a refund on the core charge.



Note: a cracked or split caliper is not acceptable as a core unit.

Model and Caliper	Item No.	Reman. Price	Core Charge	Outright Price
ALFA ROMEO				
Spider 1969-on; GTV 1969-74				
Front driver side	05253	\$ 95.50	\$95.00	\$190.50
Front passenger side	05254	95.50	95.00	190.50
Rear driver side	05281	105.00	95.00	200.00
Rear passenger side	05282	105.00	95.00	200.00
Milano & GTV6 (Brembo)* 1981-89				
Front driver side	05297	108.00	90.00	198.00
Front passenger side	05298	108.00	90.00	198.00
Milano, GTV6 & Alfetta, all				
Rear driver side	05277	112.00	90.00	202.00
Rear passenger side	05278	112.00	90.00	202.00
164, 1991-95				
Front driver side	05293	99.00	95.00	194.00
Front passenger side	05294	99.00	95.00	194.00
Rear driver side	05295	105.00	95.00	200.00
Rear passenger side	05296	105.00	95.00	200.00

FIAT AND LANCIA

Fiat 124 Coupe/Spider, 131; Pininfarina Spider 1968-84#				
Front driver side	05271	\$74.50	\$25.00	\$ 99.50
Front passenger side	05272	74.50	25.00	99.50
Rear driver side	05273	97.50	50.00	147.50
Rear passenger side	05274	97.50	50.00	147.50
Fiat X1/9 1979-87; 128				
Front driver side	05272	74.50	25.00	99.50
Front passenger side	05271	74.50	25.00	99.50
Rear driver side**	05273	97.50	50.00	147.50
Rear passenger side**	05274	97.50	50.00	147.50
Lancia Beta 1975-82				
Rear driver side	13847	97.50	60.00	157.50
Rear passenger side	13848	97.50	60.00	157.50

Notes: * Brembo calipers are aluminum, not cast iron
Pininfarina Spider through chassis no. 5506002
** Also fits 1974-78

METAL BRAKE LINE SETS

Completely replace that rusty old tubing the easy way. Bend to fit.



	Item No.	Price
Alfa Romeo GTV, 9 pieces, 1971-74*	41545	\$ 75.95
Alfa Romeo Spider, 9 pieces, 1971-93*	41544	67.50
Fiat, Pininfarina Spider, 6 pieces, 1979-85#	43050	114.00

* Your car's tubing may vary slightly; call for a listing of included pieces.
Some pieces fit 1968-78.