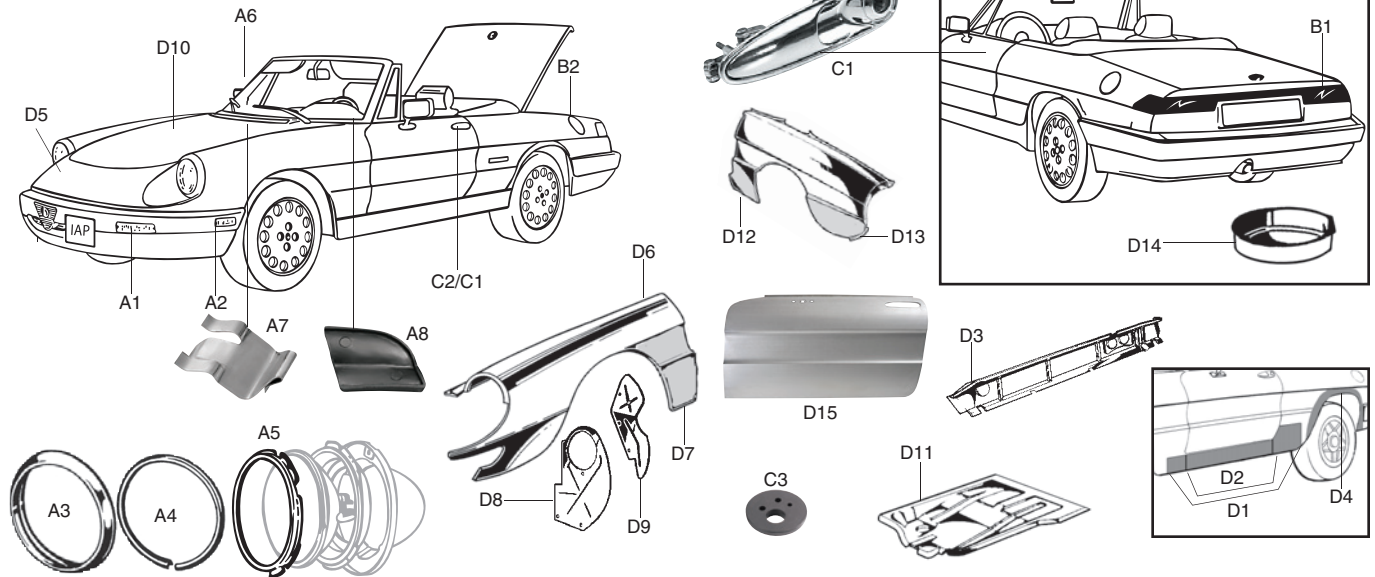


ALFA ROMEO SPIDER, 1991-94

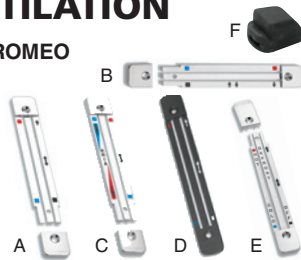


		Item No.	Item No.	Price			Item No.	Item No.	Price
		Driver	Pass.				Driver	Pass.	
FRONT END									
A1	Front turn signal lamp assembly	23268	23271	\$168.95	MISCELLANEOUS		43643	—	27.50
A2	Side marker lamp assembly	23354	23355	68.50	-	Cowl drain hose, molded, under dash	08518	08518	4.45
A3	Headlamp rim, stainless steel	03804	83128	66.95	STEEL BODY PANELS				
A4	Headlamp rim, chrome, Carello	83124	83125	69.50	D1	Outer rocker repair panel	93306	93307	\$ 74.50
A5	Gasket for headlamp rim (does both sides)	03819	03819	8.50	D2	Outer rocker panel, complete, as original	103521	103522	118.50
A6	Windshield gasket	13524	13524	56.95	D3	Middle rocker panel	103523	103524	219.00
A7	Spring clips to hold cowl vent panel (in front of windshield); need 7	43566	—	6.95	-	Inner rocker panel	103525	103526	329.00
-	Hood rubber bump plug; need 2	43646	43646	5.25	D4	Rear wheel arch repair section	93348	93349	61.50
A8	Rubber molding under windshield pillars	34035	19039	7.95	D5	Upper nose cone	03609	—	379.00
<i>Other rubber moldings: conv. top, p. 5; door, p. 71</i>									
REAR									
B1	Rear lamp assembly (both sides), does not include bulb holder or wires	23407	—	\$533.00	-	Lower radiator support cross member	03849	—	155.00
B2	Trunk rubber molding	82722	—	24.95	D6	Front fender, US spec*	93351	93353	449.00
MISCELLANEOUS									
C1	Outer door handle (use your old lock)	93534	93533	\$98.50	D7	Front fender rear repair section	103514	103515	98.50
C2	Outer door handle rubber gasket	43544	43544	6.50	D8	Front fender inner liner, front section	03659	03658	71.50
-	Lock with key	13287	13287	98.50	D9	Front fender inner liner, rear section	03662	03661	73.50
C3	Firewall grommet for htr. hose, cables	43697	—	19.50	-	Cowl Panel	03547	—	259.50
-	Floor pan plugs, 2½" rubber (need 5)	43685	—	3.95	D10	Engine hood*	03539	—	626.00
<i>* Shipped truck freight.</i>									

See page 69 for tech tip on headlamp rims.

HEATING AND VENTILATION LEVER TRIM FOR ALFA ROMEO

This strip is prone to cracking from age or over-tightened screws. Each has holes 115mm apart, and they are basically interchangeable (see Important Notes below). Widths are listed in millimeters. All are plastic, and all have textured surfaces except #03759.



	Item No.	Price
A 1300, 1600 GT with console (vertical), 24mm	03759	\$32.95
B 1300, 1600 GT, Montreal, without console (horizontal mounting), 24mm	03787	38.50
C GTV with air conditioning, 24mm*	03788	39.50
D European Spider, Black, 20mm, see notes*	03768	39.50
E 1970-82 Spider, covers lamp hole; (fits 1983-85 but is chrome, not black), 20mm*	03789	39.50
F Plastic knob for heater/vent slider	22261	7.50

Important Notes:
 * If your Alfa Romeo came with a lighted "hood" over the trim, you will need to use #03789 in order to cover the hole. If your old lamp hood is ok and you want a black trim strip, order #03768 and use the lower portion.

TRUNK RELEASE PANELS FOR ALFA ROMEO



- Interior panel for trunk release, 1971-85, repro black vinyl on aluminum #53286, **\$94.50**
- Interior panel for trunk/gas lid release 1986-94, repro black vinyl on aluminum* #53284, **\$99.50**
- Trunk release lever, 1971-94 (see p. 35 for cable) #13258, **\$86.50**
- Gas lid release lever, 1986-94 (see p. 35 for cable), #13323, **\$89.50**
- Right side interior trim panel (1979-93), #53287, **\$105.50**

* Note: Not for cars with motorized seat belts.